

Finance Underpayments

SIS Table Name	Underpayments
SIS table Code	UP
Data Collection LEA Level	District
Cycles	8
# of Data Items	11
Source	eFinance, SIS LEA Profile

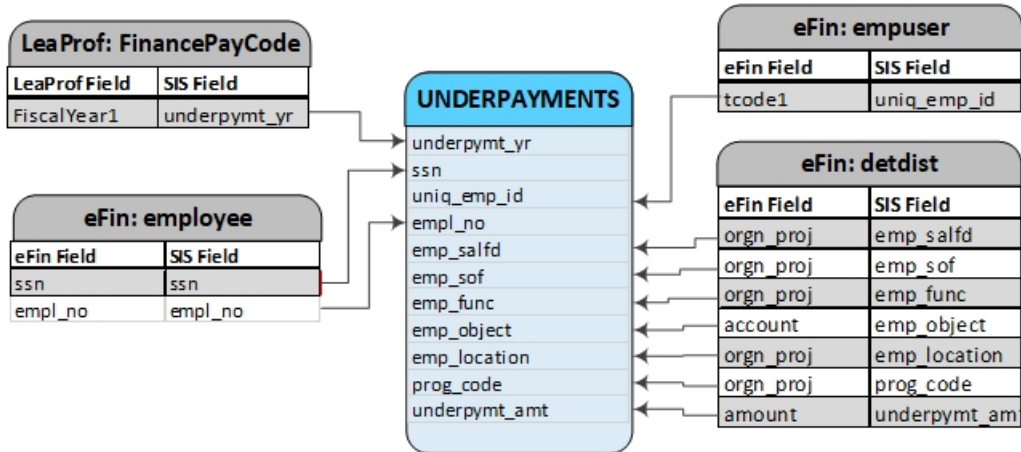
Source

These fields receive their values directly from eFinance table fields:

Column ID	Element	Column Name	Cycles	Source Table	Source Column
UP0050	SSN	ssn	8	eFin: employee	ssn
UP0055	State Reporting ID	uniq_emp_id	8	eFin: empuser	tcode1
ES0056	District Employee Number	empl_no	8	eFin: employee	empl_no
UP0060	Employee Salary Fund	emp_salfd	8	eFin: detdist	orgn_proj
UP0062	Source of Funds	emp_sof	8	eFin: detdist	orgn_proj
UP0065	Function	emp_func	8	eFin: detdist	orgn_proj
UP0068	Object	emp_object	8	eFin: detdist	account
UP0069	Location	emp_location	8	eFin: detdist	orgn_proj
UP0075	Program Code	prog_code	8	eFin: detdist	orgn_proj
UP0080	Underpayment Amount	underpymt_amt	8	eFin: detdist	amount

Business logic

SIS Fields	Source	Conditions
UP0040 Underpayment Fiscal Year	SIS LEA Profile table FinancePayCode	
<p>Business rules :</p> <ul style="list-style-type: none"> The stored procedure “usp_FinancePayCodeRead” gets the fiscal year and pay code values. The first six records from FinancePayCode where screen number = “02” are used. The pay code values from these records are supplied as arguments to the query that is run on eFinance to get the SSN, expense unit, account and amount from eFinance detdist table. 		



Selection Criteria

```

FROM
  detdist dd,
  employee em,
  person pn
WHERE detdist.empl_no = employee.empl_no
  AND employee.empl_no = person.empl_no
  AND detdist.code IN (PayCode1, PayCode2, PayCode3, PayCode4, PayCode5, PayCode6, PayCode7)
  AND detdist.rec_type = "O"
  AND (detdist.pay_date BETWEEN Fiscal Year Begin Date AND Fiscal Year End Date)
  AND detdist.paygroup != "S"
-----
Get Unique EmpID:
SELECT tcode1
FROM empuser, employee
WHERE empuser.empl_no = employee.empl_no
  AND empuser.page_no = 32000
  AND employee.ssn = SSN
-----
Underpayment Fiscal Year:
FROM [SIS_Lea_Profile].[dbo].[FinancePayCode]
WHERE DistrictLea = LEA
  AND ScreenNumber = '02'

```