

Special Education Employee

SIS Table Name	Spcedemployee
SIS table Code	SX
Data Collection LEA Level	District
Cycles	4
# of Data Items	12
Source	eSchool

Source

These fields receive their values directly from eSchool table fields:

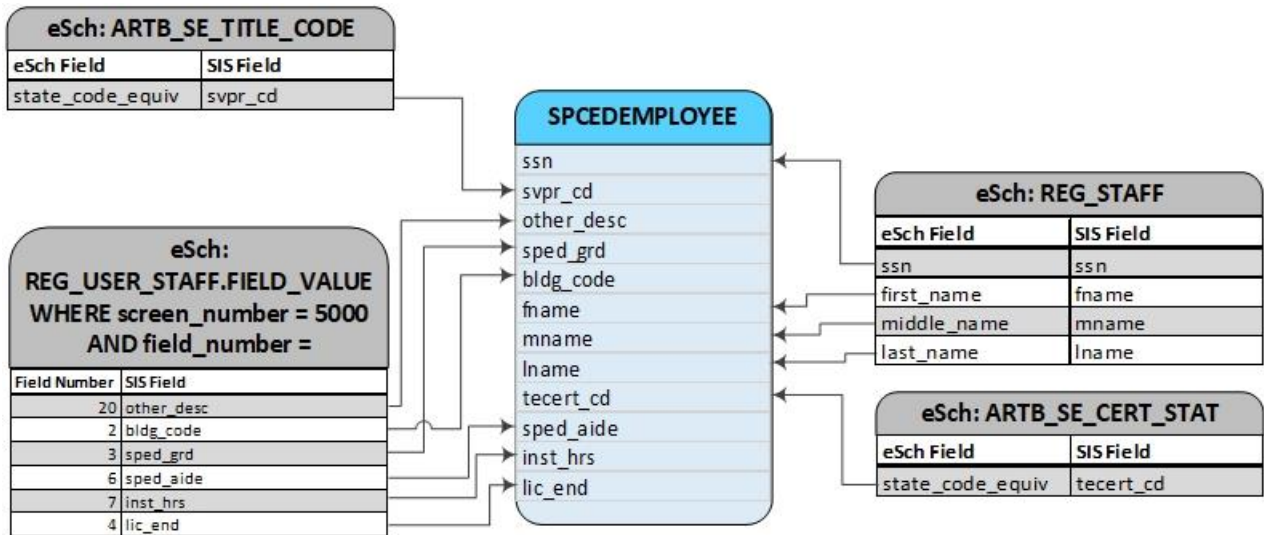
Column ID	Element	Column Name	Cycles	Source	Source Column
SX0040	SSN	ssn	4	eSch: REG_STAFF	ssn
SX0060	Title Code - Service Provider	svpr_cd	4	eSch: ARTB_SE_TITLE_CODE	state_code_equiv
SX0070	Other Description	other_desc	4	eSch: REG_USER_STAFF	field_value
SX0090	Grade Levels	sped_grd	4	eSch: AR_V_SE_STAFF_INFO	grade
SX0194	Building Code	bldg_code	4	eSch: AR_V_SE_STAFF_INFO	building
SX0195	First	fname	4	eSch: REG_STAFF	first_name
SX0196	Middle	mname	4	eSch: REG_STAFF	middle_name
SX0197	Last	lname	4	eSch: REG_STAFF	last_name
SX0199	Certification Status	tecert_cd	4	eSch: ARTB_SE_CERT_STAT	state_code_equiv
SX0200	Classroom Aide	sped_aide	4	eSch: AR_V_SE_STAFF_INFO	class_aide
SX0210	Provider FTE	inst_hrs	4	eSch: AR_V_SE_STAFF_INFO	fte
SX0340	Licensure Number/Teacher Endorsement Code	lic_end	4	eSch: AR_V_SE_STAFF_INFO	license_id

View: AR_V_SE_STAFF_INFO

A "view" is a stored query. It gets data from tables, and is then referenced in other queries like it was a table.

The Special Education Employee table uses the view "AR_V_SE_STAFF_INFO". Values for the view come from the eSchool table **REG_USER_STAFF**, column **FIELD_VALUE**, where **SCREEN_NUMBER = 5000** and **FIELD_NUMBER** values are as indicated in the table below.

Column ID	Element	Column Name	View Column	FIELD NUMBER
SX0090	Grade Levels	sped_grd	grade	3
SX0194	Building Code	bldg_code	building	2
SX0200	Classroom Aide	sped_aide	class_aide	6
SX0210	Provider FTE	inst_hrs	fte	7
SX0340	Licensure Number/Teacher Endorsement Code	lic_end	license_id	4



Selection Criteria

PLEASE NOTE: Much of the data for this table comes from "views". A "view" is a stored query. It gets data from tables, AND is then referenced in other queries like it was a table.

```

FROM REG_STAFF rs
INNER JOIN View AR_V_SE_STAFF_INFO si
    ON AR_V_SE_STAFF_INFO.district = REG_STAFF.DISTRICT
    AND AR_V_SE_STAFF_INFO.staff_id = REG_STAFF.STAFF_ID
INNER JOIN REG_STAFF_BLDGS rsb
    ON REG_STAFF_BLDGS.district = REG_STAFF.district
    AND REG_STAFF_BLDGS.staff_id = REG_STAFF.staff_id
LEFT OUTER JOIN REG_DISTRICT rd
    ON REG_DISTRICT.DISTRICT = AR_V_SE_STAFF_INFO.district
LEFT OUTER JOIN View ARTB_SE_TITLE_CODE tc
    ON ARTB_SE_TITLE_CODE.DISTRICT = AR_V_SE_STAFF_INFO.district
    AND ARTB_SE_TITLE_CODE.CODE = AR_V_SE_STAFF_INFO.title_code
LEFT OUTER JOIN View ARTB_SE_GRADE_LVL gl
    ON ARTB_SE_GRADE_LVL.DISTRICT = AR_V_SE_STAFF_INFO.district
    AND ARTB_SE_GRADE_LVL.CODE = AR_V_SE_STAFF_INFO.grade
LEFT OUTER JOIN View ARTB_SE_CERT_STAT cs
    ON ARTB_SE_CERT_STAT.DISTRICT = AR_V_SE_STAFF_INFO.district
    AND ARTB_SE_CERT_STAT.CODE = AR_V_SE_STAFF_INFO.cert_status
LEFT OUTER JOIN
    (SELECT DISTRICT, STAFF_ID, FIELD_VALUE FROM REG_USER_STAFF WHERE FIELD_NUMBER = 11
    AND FIELD_VALUE IS NOT NULL) AS rus11
    ON REG_USER_STAFF.district = REG_STAFF.DISTRICT
    AND REG_USER_STAFF.staff_id = REG_STAFF.STAFF_ID
LEFT OUTER JOIN
    (SELECT DISTRICT, STAFF_ID, FIELD_VALUE FROM reg_user_staff WHERE FIELD_NUMBER = 12 AND
    FIELD_VALUE IS NOT NULL) AS rus12

```

```
ON REG_USER_STAFF.district = REG_STAFF.DISTRICT  
AND REG_USER_STAFF.staff_id = REG_STAFF.STAFF_ID
```